

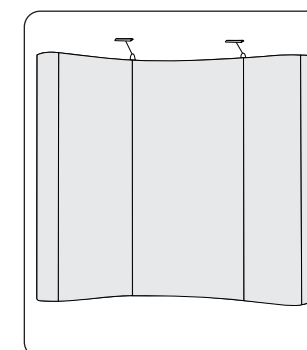
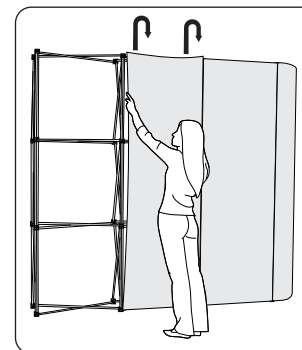
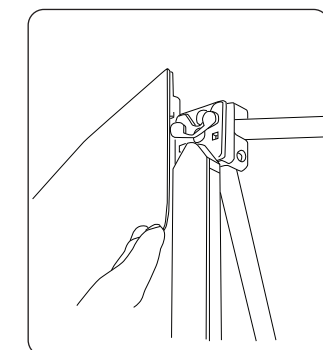
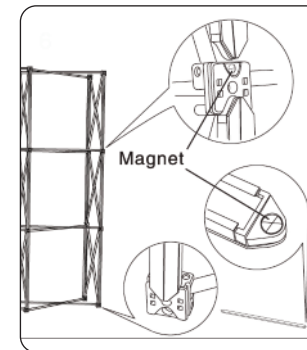
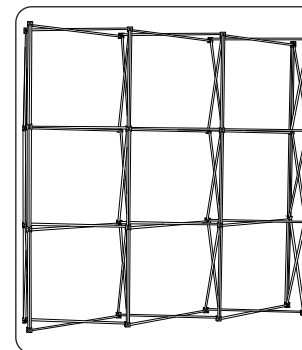
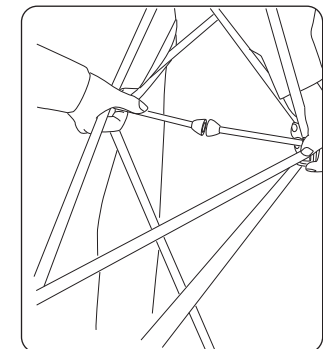
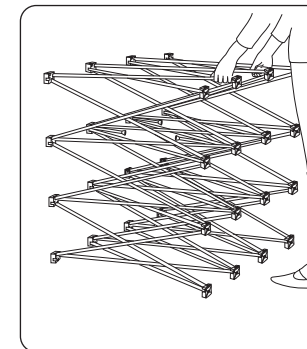
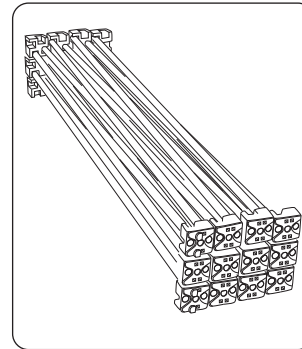


### Impact Pop-Up Sizes

Impact Pop-Ups are available in the following quads:

Straight Sizes: 3 x 1, 3 x 2, 3 x 3, 3 x 3, 3 x 4 or 3 x 5.

Curved Sizes: 2 x 3, 3 x 3, 3 x 4 or 3 x 5.



This user instruction is for the 3 x 3 Straight version. Other configurations will look different, however the principles will stay the same.

We are continually improving and modifying our product range and reserve the right to vary the specifications without prior notice. All dimensions and weights quoted are approximate and we accept no responsibility for variance. E&OE.

## Disassembly instructions

