

## Description

- Constructed from aluminium tubes (Ø 30 mm)
- Reinforcing tubes (Ø 30 mm)
- Stabilizing feet included
- Carry bag 50 (h) x 1250 (w) x 260 (d) mm
- Manufactured to order
- Easy to assemble with labelled components
- Double-sided fabric graphic
- Invisible coinstruction
- Necessary tools included
- Other dimensions can be produced to order

Recommended additions:



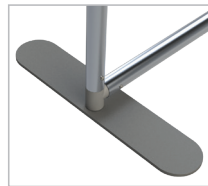
**Square base  
Modulate (pair)**  
MOD-FOOT-SQ-P



Easy to assemble



Numbered components



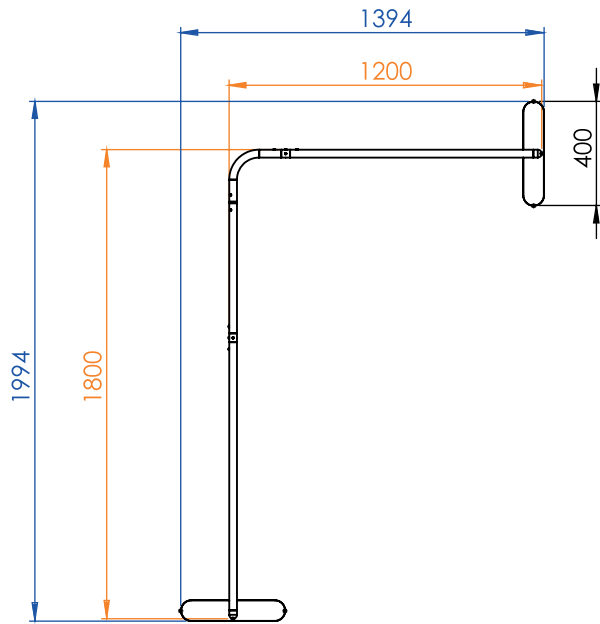
Twist & Lock feet



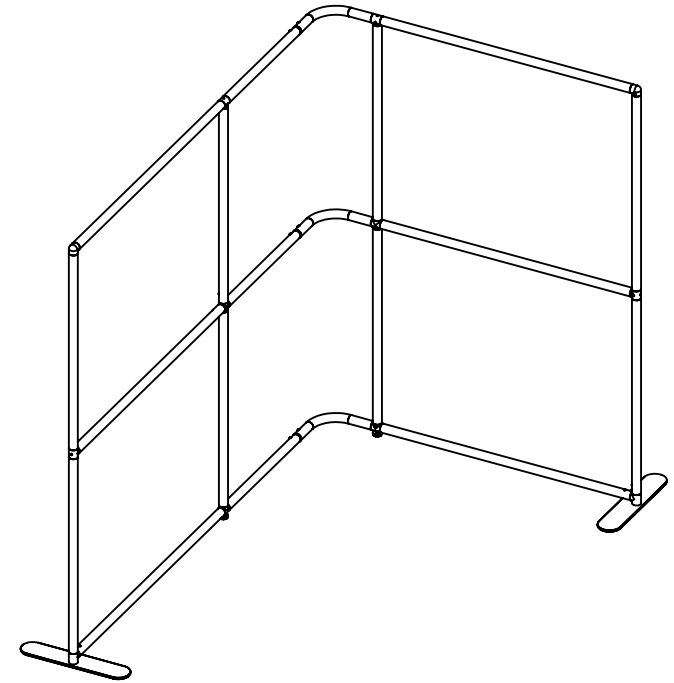
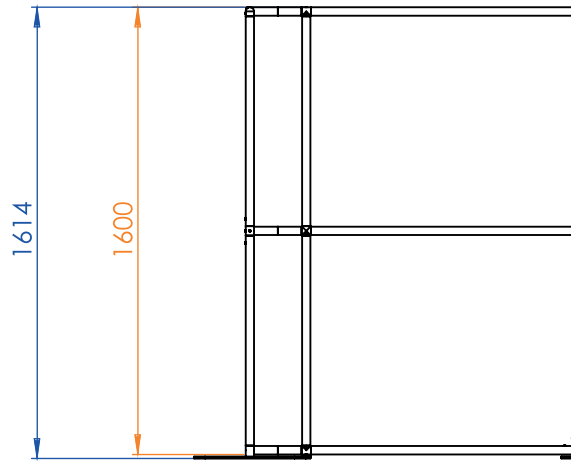
# FORMULATE L SHAPE

V1

TOP VIEW



FRONT VIEW



Carry bag

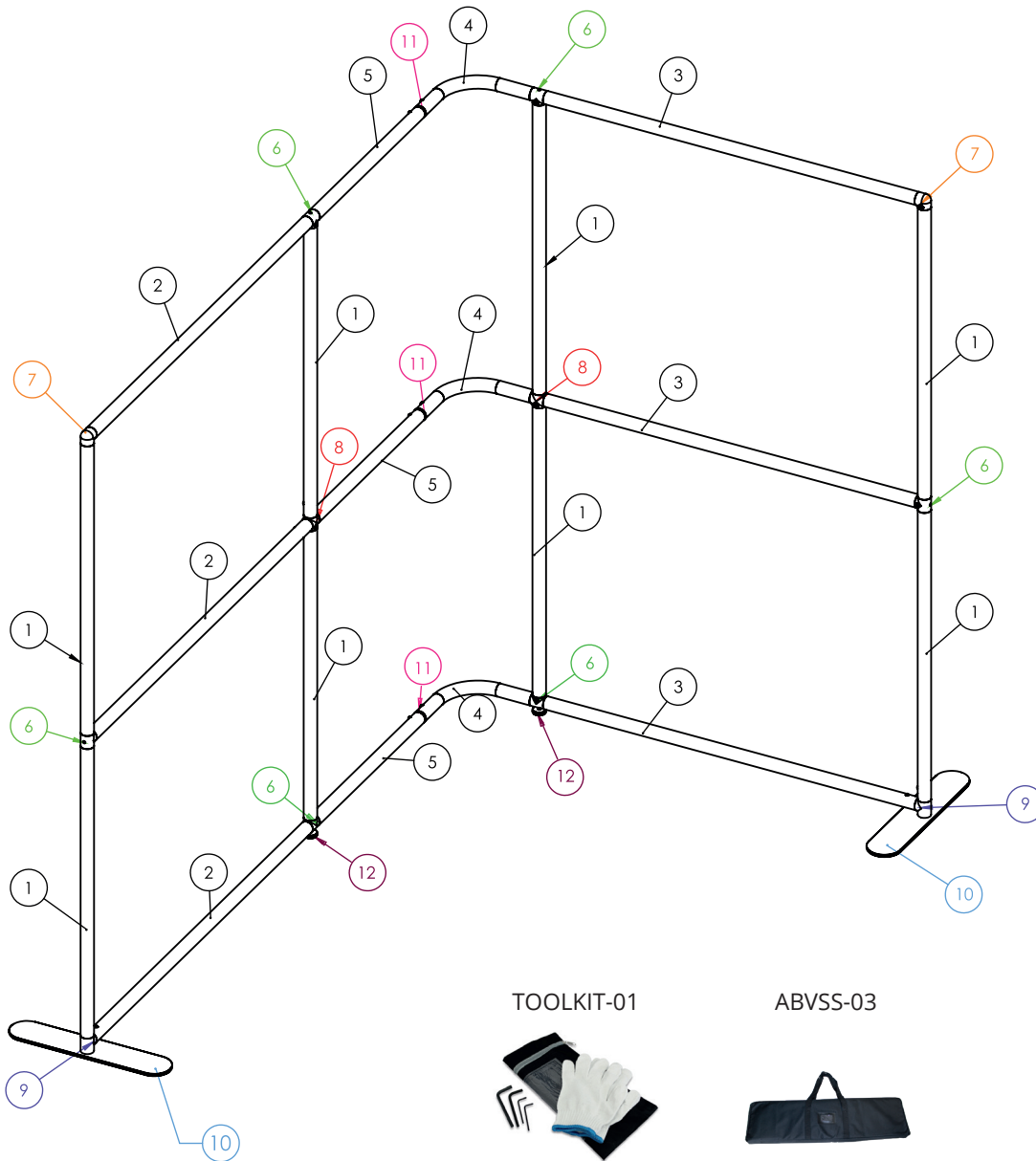


Hardware

Code	Description	Hardware dimensions (h x w x d mm)	Weight	Box dimensions h x w x d mm	Box weight
FMLT-LS-01	Formulate L Shape	1614 x 1994 x 1394	12 kg	TBC	13 kg

# FORMULATE L SHAPE

## Components



1  
Tube Ø30  
DROIT 751 MM  
X8

2  
Tube Ø30  
DROIT 1029 MM  
X3

3  
Tube Ø30  
DROIT 934 MM  
X3

4  
Angle Standard Ø30  
X3

5  
Tube Ø30  
DROIT 500 MM  
X3

6  
TC-30-T  
X6

7  
TC-30-90T  
X2

8  
TC-30-X  
X2

9  
TC-30-90BF  
X2

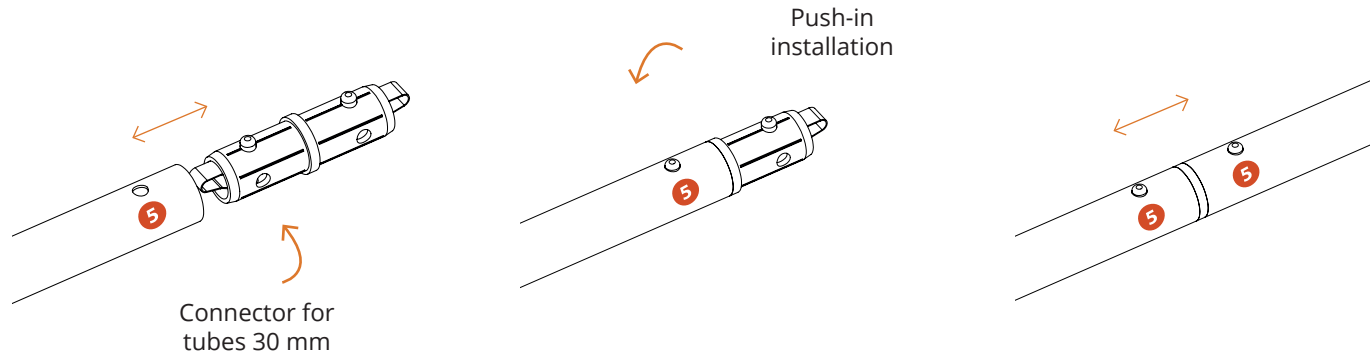
11  
TC-30-S  
X3

10  
MOD-FOOT-P  
X1

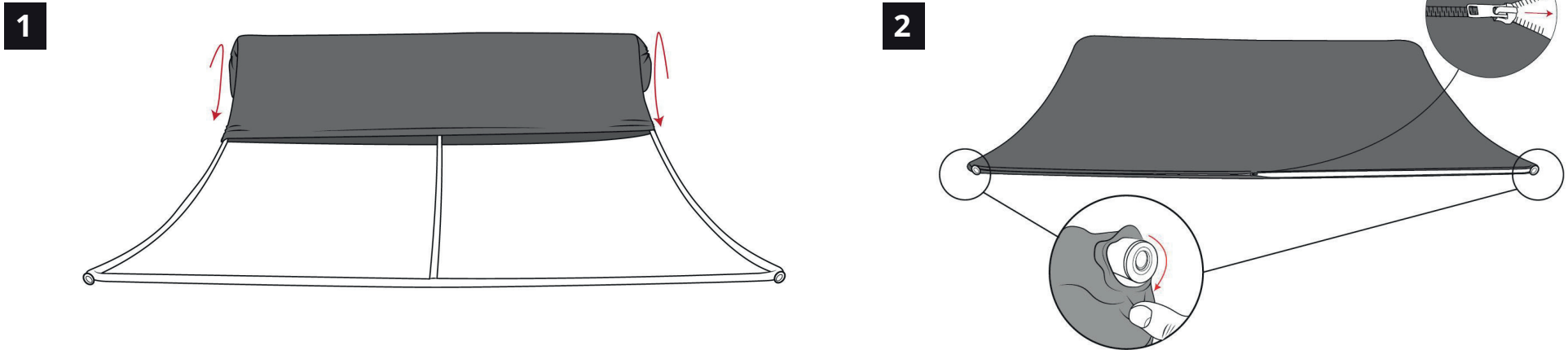
12  
MOD-S-01  
X2

# FORMULATE L SHAPE

## System Assembling\*



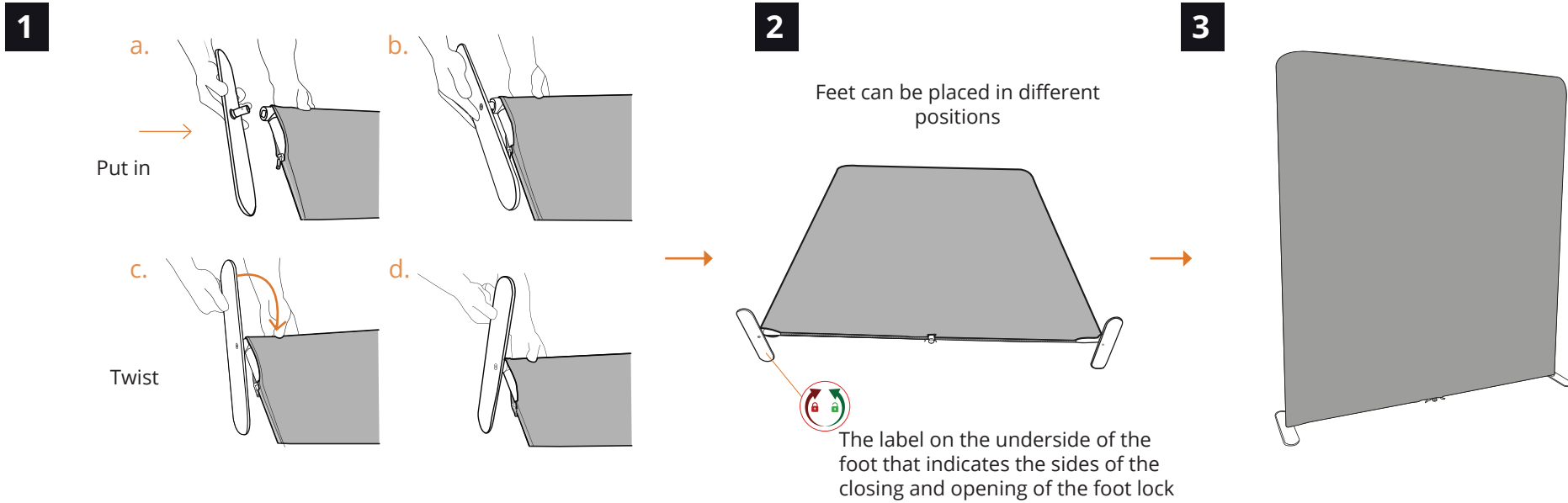
## Assembly of graphics



\* The design shown is an example and may differ slightly from the system ordered.

# FORMULATE L SHAPE

## Foot Twist & Lock\* assembly



## Foot FMLT-MOD-30-ADJ-F assembly



\* The design shown is an example and may differ slightly from the system ordered.